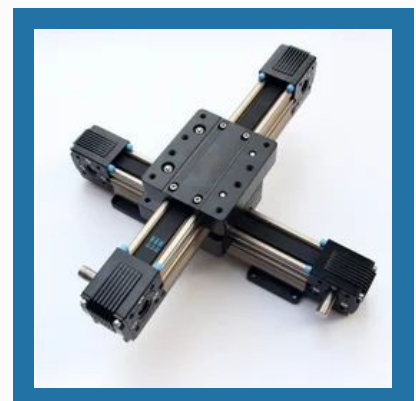




# Square Automation

<https://www.square-automation.com/>

We are a Manufacturer, Exporter, Importer and Trader of the wide assortment of Rotary Table, Servo Cylinder, Robotic Positioner and Servo Gearbox These products are admired for their excellent performance and long service life.



## About Us

Established in the year **2010**, we **Square Automation** has successfully emerged as a **Manufacturer, Exporter, Importer and Trader** of Offered products range consists of **Rotary Table, Servo Cylinder, Robotic Positioner and Servo Gearbox and much more.** All offered products are manufactured using quality tested components and latest technology as per industry norms. Our range has gained trust owing to the features like trouble-free operation, low maintenance, compact design, low power consumption, and the ability to withstand high temperature. Also, these cater to the needs of electronics and engineering related industries.

We wish to become a famous firm with the help of our qualified team of professionals and advanced technology. In order to manufacture these high-quality ball screw and linear actuators, we are supported by an ultra-modern infrastructure facility. This enabled us to execute our production in the desired way. Moreover, our power products meet the highest of quality standards in terms of their functionality and performance as well. We can also customize our products design and specifications as per the demand of our customers.

Under the headship of our marketing manager **Mr. Manoj Sakpal**, our organization is growing fast in this industry. He is having deep marketing knowledge and experience of this industry, which has continuously helped us design immaculate products for the clients.



# ROTARY TABLE



Hollow Rotary Table Right Angle



Hollow Rotary Table



Rotary Indexing Table

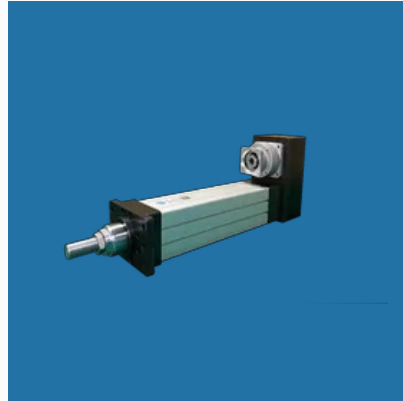


Rotary Table

# SERVO CYLINDER



Servo Motor Cylinders



Servo Hydraulic Cylinder



SQ-65 Servo Cylinder

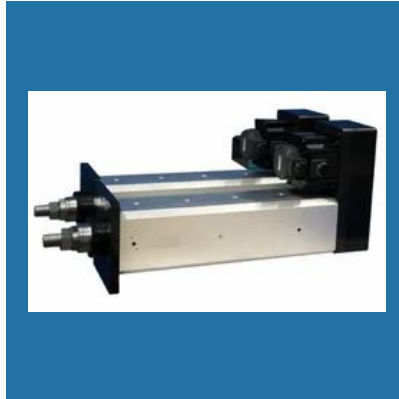


Servo Cylinder

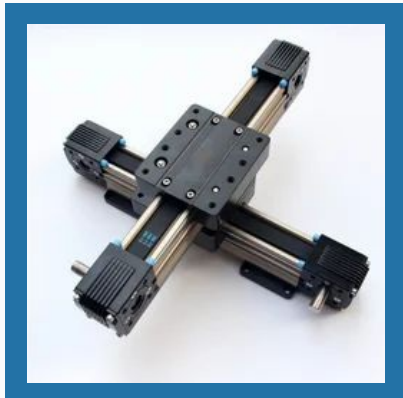
## OTHER PRODUCTS:



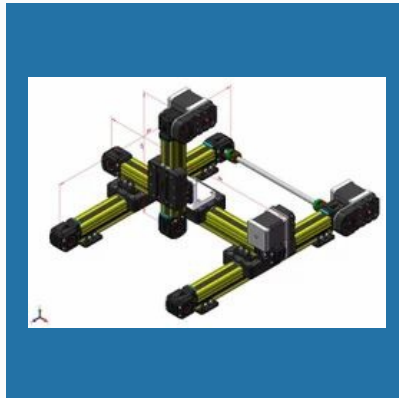
Hollow Rotary Indexing Table



Heavy Thrust Servo Cylinder



High Speed Timer Belt Linear Actuator SQ-45HA



SQ-60 HA Timer Belt Linear Actuator

## OTHER PRODUCTS:



Ball Screw Actuator



Ball Screw Linear Actuator



Servo Gear Boxes



Servo Planetary Gearbox

## OTHER PRODUCTS:



Aluminium Servo Gearbox



Servo Gearbox



Automatic Servo Press



Stainless Steel Robotic Positioner

## OTHER PRODUCTS:



Harmonic Gearbox



Cam Indexing Drive



Servo Planetary Gearbox



Ball Screw Actuators



## OTHER PRODUCTS:



Planetary Gear Units



Car Driving Simulator



4 Column Servo Press



GSB130 Rotary Table

# Factsheet

Year of Establishment : 2010

---

Nature of Business : Manufacturer

---

Total Number of Employees : 11 to 25 People

---



## CONTACT US

### **Square Automation**

Contact Person: Manoj Sakpal

Dangat Industrial Estate, 81/2, NDA Road  
Pune - 411023, Maharashtra, India



+91-8048602699



<https://www.square-automation.com/>